



Vance Dickason



V Series User's Manual

TABLE OF CONTENTS

Preface
Cautions
Unpacking Instruction
Important Safety Notice
Product Features
About V Series Design
Supplied Accessories
Connection and Installation
Golden Rule Placement
Specifications
Warranty

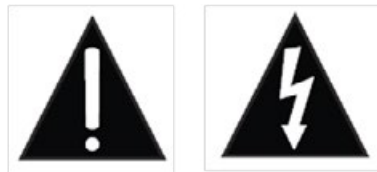
Preface

Dear Valued Customer,

Thank you for your purchasing of SensaSound signature collection V Series Speakers. You are about to experience the beauty and charm of nature sound with the latest advancements in sound technology. Before you unpack and install the product, we encourage you to read through this user' s manual to learn all the features and capabilities of your new speakers. From correct system connection, placement and optimized performance, this manual will guide you through from the beginning to the end. Should you still have any questions about the products, please contact your local dealer or directly contact us about your inquiry. Welcome to our SensaSound family, it is time to enjoy your home entertainment!

SENSASOUND TEAM

Cautions



This symbol warns the presence of dangerous voltage inside the enclosure. There is a high risk of electric shock if the product is opened at which the symbol appears. Please follow all instructions specified in this manual.

Unpacking Instruction

1. Before unpacking the box, check the integrity of the package and ensure that there is no visual signs of damage. Otherwise you should consult your SensaSound dealer before you start the installation.
2. When unpacking the box, handle with care in order to avoid any damage to the product.
3. Keep the original carton for future shipping.

Important Safety Notice

Read and follow these instructions:

1. Do not use the speakers anywhere near water or in any wet environment.
2. Clean the speakers only with a dry cloth.
3. Keep the speakers away from any sources that produce heat.
4. The speakers should be properly installed so that its location or position does not block any ventilation openings. Also, it should not be placed in a built-in installation, such as a bookcase or cabinet which may impede the air flow.
5. Power cords should be protected so that they are not likely to be walked on or pinched especially near the plugs, convenience receptacles, and the point where they exit from the speakers.
6. Do not defeat the safety purpose of the polarized or grounding-type plug.
7. Only use accessories that are specified by the manufacturer.
8. In order to prevent the damage to the product during lightning or power-line surges, unplug the speakers from wall outlet.
9. Use the appropriate shipping tools when moving the speakers to avoid the injury from tip-over and fall-off.
10. Do not overload wall outlet and extension cords in order to avoid the risk of fire or electric shock.
11. Ask for service assistance from qualified personnel when the speaker has been damaged, such as damage to the supply cord or plug, liquid spillage into the speaker, damage to the speaker from fallen objects, significant change in performance, malfunctions or water exposure etc.
12. Unplug the power cord from the speaker when unused for a period of time.
13. The objects which are filled with water, such as vases, should not be placed on the speaker.
14. Do not place the speaker on unstable stand, shelf, bracket or table. This may cause a serious injury and product damage. Please follow all instructions in this manual.

Important: Turn off all equipment before you making any connection.

Product Features

Vance Dickason Design

A well-known speaker design guru, and worldly-recognized as the father of modern speaker design. With more than 4 decades of industry experiences and experience, Mr. Vance Dickason has gained a lot of titles such as, the founder of SRA, the author of Loudspeaker Design Cookbook and Loudspeaker Recipes books which are widely used publications in the industry, and the awardee of prestigious Beryllium Driver Award, which specifically recognizes significant and sustained contributions to the loudspeaker industry over the lifetime of a career.

Controlled directivity

Function well both as LR and center channel and can also used as a direct radiating surround speaker, to ensure the highest performance of the whole system while have no compromise on the installation.

Advanced tweeter and woofer design

Fully leverage the world-class unit engineering technology. All tweeters use the most advanced Danish engineered tweeters and all woofers use the cutting-edge US engineering technology.

Special high transparency grill

All speakers use high transparency grill design to improve details that participate in obtaining low resonance frequency, low distortion and very high frequency extension.

Computer optimized asymmetrical crossover

To compensate the inter driver time delay and achieve the highest balanced performance of the system as a whole.

About V Series Design

SensaSound V Series Bookshelf Speakers are one of Vance Dickason signature series that features small footprint, big sound, and can be used on a shelf, in a cabinet, or on a stand. Whichever route you choose, you'll hear a performance that will confound your perception of what's possible from a compact loudspeaker. Available in beautiful, modern, high gloss black finishes, it was designed by use alone or with a SensaSound Subwoofer to complete an attractive, great sounding full range speaker system, suitable for two-channel music systems as well as intimate home theater applications. SensaSound V series use a specially designed tweeter with a 1" soft dome; and a 5.25" /6.5" woofer delivers a fantastic musical response for desired fullness at background listening levels. The V series speaker handles movies and music effortlessly, with a flat frequency response and imaging that keeps you in the middle of the action. Perfect for use as front speakers in a small home theater or as surround speakers in a larger home entertainment room with other SensaSound speakers. The V series speaker will bring your music, movies and games to life, all at a price that matches the size.

Supplied Accessories

Glove	1
User's Manual	1
Warranty Card	1
Wall-mount rack	1

Connection and Installation

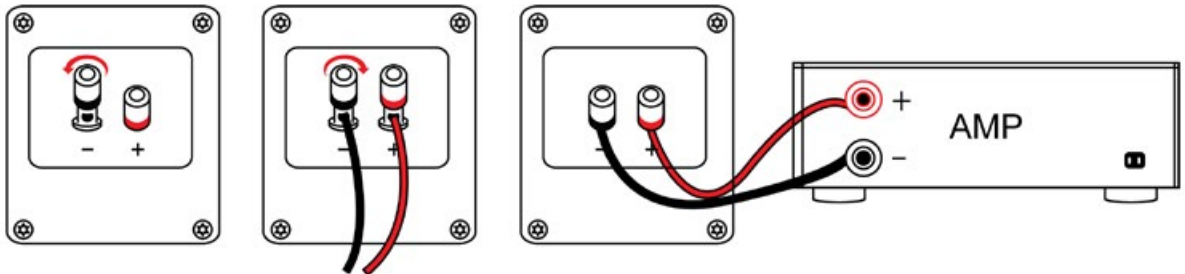
Important: Turn off all equipments before you making any connection.

Properly connect the system for achieving the best performance. If possible, choose the highest quality cable within your budget. You need thicker cable for longer runs.

You have several options for connection. SensaSound Gold-Plated binding post is easily matched to different connectors such as bare wire, banana plugs, flat cable, round cable and spade lugs. Commonly we recommend to use bare wire or banana plugs.

Bare Wire

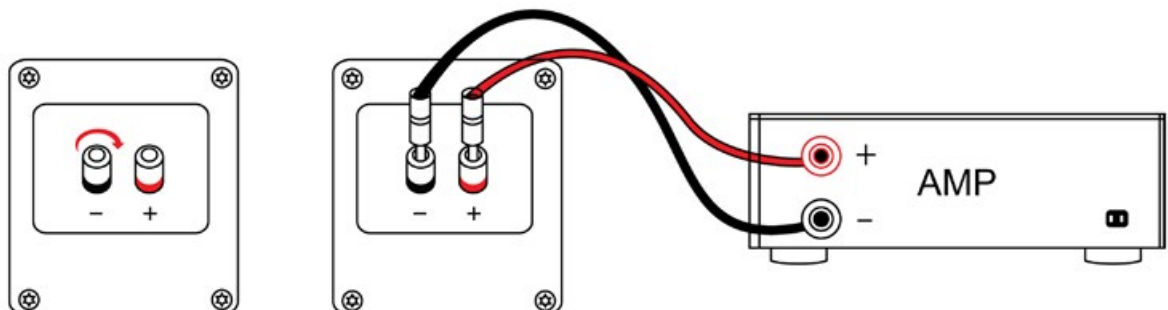
- 1.If you choose to use bare wire, first separate your wire into two pieces and strip " " of insulating layer off from the end of each wire.
- 2.Twist the exposed copper strands until they are tightly unified.
- 3.Unscrew the binding posts cap in a counter-clockwise direction.
- 4.Insert the bare speaker wire into the hole of binding post and tighten it in a turning-clockwise direction. Make sure that you will not insert the insulation section into the hole as it may interfere the connection.
- 5.Note that there is a red (+) and a black (-) terminal on the rear of each speaker. Make sure that you connect the positive (+) terminal of your amplifier or receiver to the red (+) terminal on your speaker, and connect the negative (-) terminal of your amplifier or receiver to the black (-) terminal on your speaker.



Banana Plugs

If you prefer to have a flexible location with different speakers, you can choose banana plugs connection for a convenient connect and disconnect.

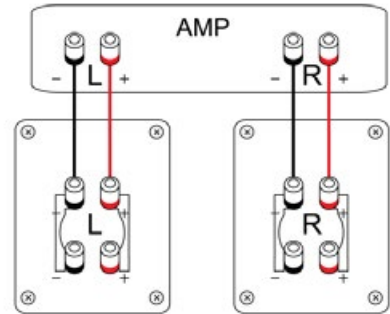
- 1.Most banana plugs has obvious color-coding for red (+) indicates positive terminal and black (-) indicates negative terminal.
- 2.Insert the banana plugs respectively into the right end of binding posts on rear of speaker.
- 3.Make sure that the banana plugs are completely connected with the binding posts.
- 4.Connect the positive (+) terminal of your amplifier or receiver to the positive(+) terminal on



Single – Wiring

Single wiring is the most conventional connection.

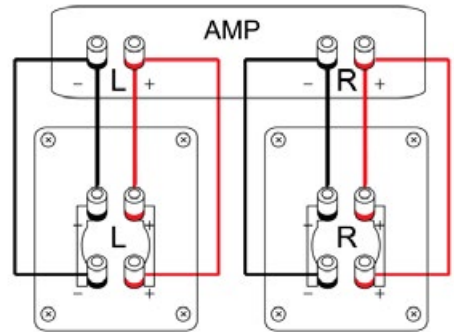
1. Keep the terminal links in place, you can also use bare wire to link the terminal.
2. Just connect one pair of terminals to the amplifier. Always make sure the connection consistency of terminal polarity.



Bi-Wiring

Bi-wiring can improve the low-level details and overall transparency.

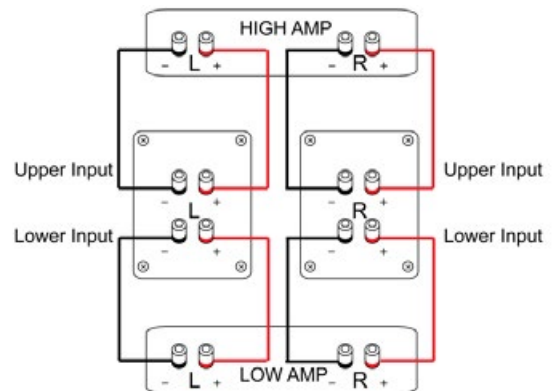
1. Remove the terminal links from the speakers.
2. Connect one set of speaker wires to the upper terminals on speaker and one set to the lower terminals on speaker. Connect them independently to the amplifier output.



Bi-Amping

Bi-amping allows you to use two amplifiers for greater dynamics.

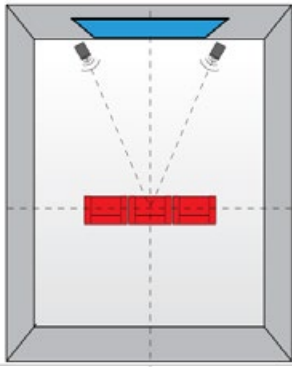
1. Remove the terminal links from the speakers.
2. Connect the upper set terminals on speaker to one amplifier output and follow the same principle to do the lower set terminals on speaker. We recommend you to use identical amplifiers and identical gains.



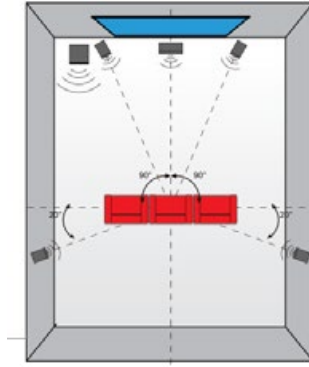
System Set Up

1. Enter into the receiver's setup menu and go to "speaker setup". Select "small" for surround and center speakers, and select "large" for floor standing speakers.
2. Choose the proper crossover point according to your speaker specification.
3. In the speaker distance menu, you should measure the distance between your speakers and your mainly listening position, then input the distance into the menu.
4. When you set up the volume level menu, you should adjust the volume level carefully until each speaker is at the same loudness and at a comfortable listening volume. A SPL meter can help you do the setup more accurate.

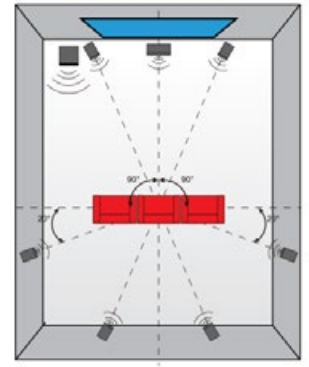
Golden Rule Placement



HiFi Stereo



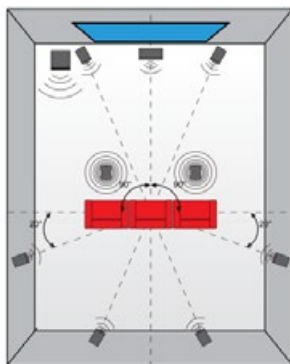
Home Theater 5.1



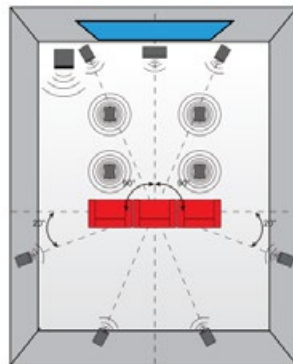
Home Theater 7.1

- 1.The front speakers should always be kept at the same horizontal level with the audience ear height, if not, then they should be kept their height difference at least within 24” . This is because man’ s ear is more sensitive to horizontal position rather than vertical position.
- 2.Do not place any sofa or furniture between the speakers and listening positions.
- 3.For surround speakers, the best height is above 26” from listener’s ears which is generally 70” to 80” above the ground.
- 4.Surround speakers should form a 90° –110° angle to center speaker, while the rear speakers form a 135° –150° angle to the center speaker.

Dolby Atmos Placement



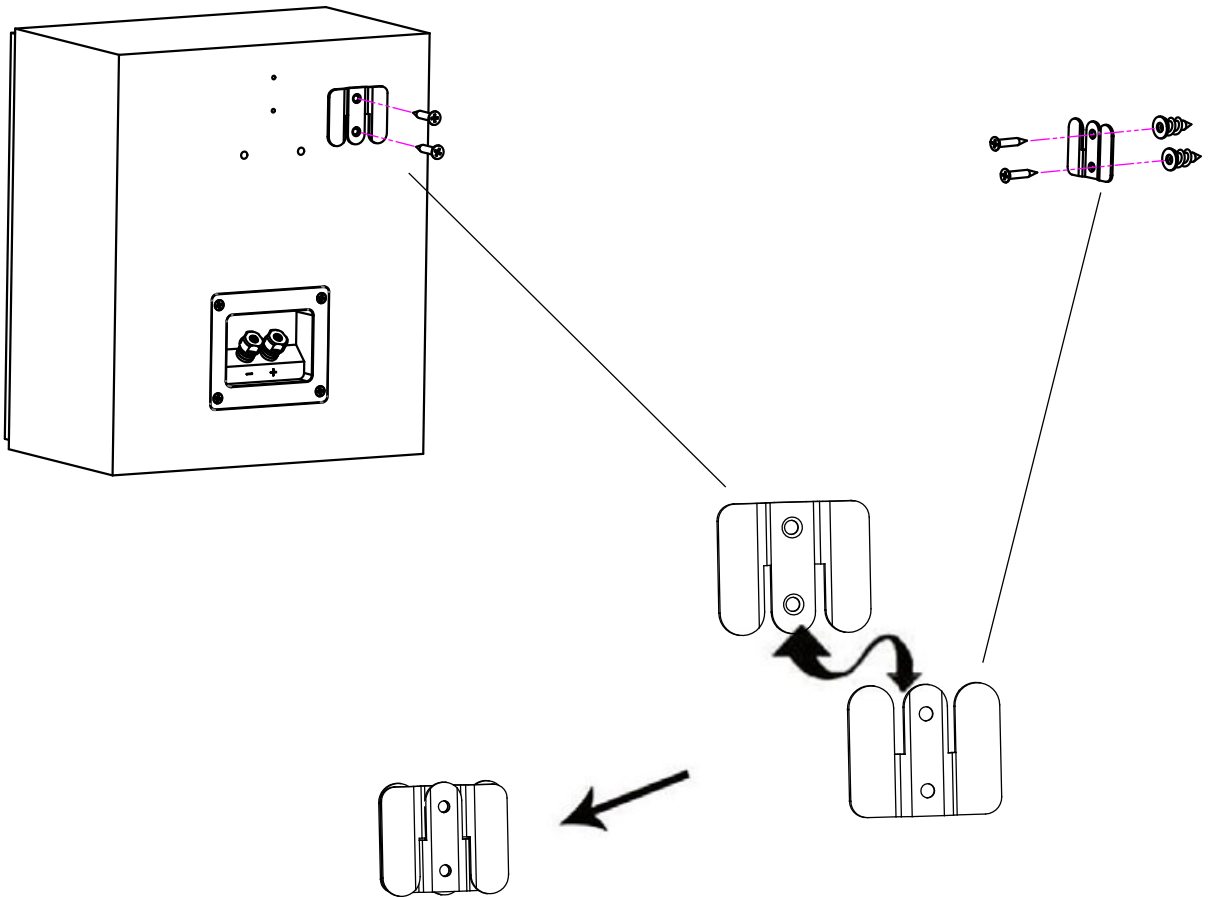
Dolby Atmos 7.1.2



Dolby Atmos 7.1.4

- 1.If your AV receiver supports Dolby Atmos technology, you can upgrade your home theater system into Dolby Atmos 7.1.2 or Dolby Atmos 7.1.4 system.
- 2.Dolby Atmos system is flexible for surround speaker placement. This system can deliver a much greater enveloped sound field by adding surround speakers into the ceilings.
- 3.The theater room ceiling should be flat with no arches, edges or corners for a smooth response.
- 4.The ceiling height is ideal between 94” to 106” for a best audio performance.

Wall-mount Placement



V Series Specification

V5 Signature

Frequency Response	80Hz~20KHz
Impedance	40hm
Sensitivity	88dB
Recommend Power	.60W
Max Power	120W
Crossover	2.7KHz
Tweeter	1" Silk Tweeter
Woofers	.5.25" P.P Cone
Enclosure Type	Sealed Enclosure
Dimensions (W*H*D)	9.69"*11.37"*5.4" (24.6cm*28.9cm*13.8cm)
Weight	15.4lbs(7.0Kg)

V8 Signature

Frequency Response	80Hz~20KHz
Impedance	40hm
Sensitivity	88dB
Recommend Power	.60W
Max Power	120W
Crossover	2.7KHz
Tweeter	1" Silk Tweeter
Woofers	.6.5" P.P Cone
Enclosure Type	Sealed Enclosure
Dimensions (W*H*D)	8.4"*12"*8.6" (21.4cm*30.5cm*22cm)
Weight	22.0lbs(10.0Kg)

Warranty

We promise that all SensaSound products are elaborately designed and manufactured with the most strict quality requirements. Under normal use we warranty them free from defects in materials and workmanship for 1 year from the original purchase date. The warranty for V series speakers are valid for 3 years.

If any defects in materials and workmanship occur within the limited warranty period, you can get immediate help from the following ways:

Contact the dealer from whom you purchased the product

Or you can send an email to **service@sensasound.com**

However, after the warranty period, you will be responsible for the charges incurred from spare parts, labor service and shipments, etc.

No matter which way you choose to obtain the service, we need the information of model, serial number, original purchase date and detailed problem description from you. Once we have confirmed that any parts need to be repaired or replaced, it is required that you carry or send your products to the SensaSound dealer where you bought them. Please note, that we also need your warranty card and purchase proof, so keep them in a secured place after your purchasing of SensaSound products.

Important:

Please do not entrust any repair work to unauthorized person or party. Only the authorized SensaSound dealers and distributors can provide the original components necessary for servicing the products. We do not warranty any service to any modified parts that are not from authorized ways.

Warranty does not include (but are not necessarily limited to) :

- Those caused by force majeure and acts of nature.
- Damages caused by any use other than correct use described in the user manual.
- Damage caused by improper installation, adjustment or was installed in seal up environment.
- Damage caused by shipment other than arranged by SensaSound.
- Bought, repaired, modified or use of parts that are not made or authorized by SensaSound.
- If the serial number has been altered, defaced or removed.
- For deterioration of component parts, the nature of which is to become worn or depleted with use.

Shipping charge:

If the repairs are covered by the warranty, you need to pay for the charge incurred from sending the product to the maintenance point, and SensaSound will pay for the return shipping charge. We provide all support and guidance to make sure the process moves smoothly.



SensaSound USA LLC

P.O. Box 4137, Warren, NJ 07059, USA

www.sensasound.com